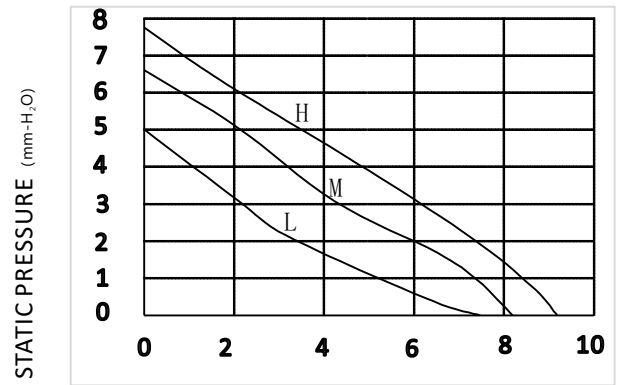
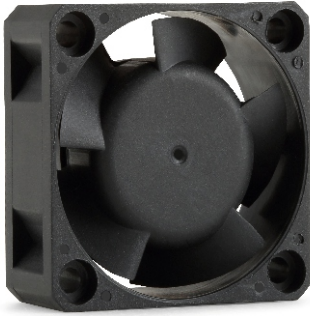


MODEL:RA-DC4020



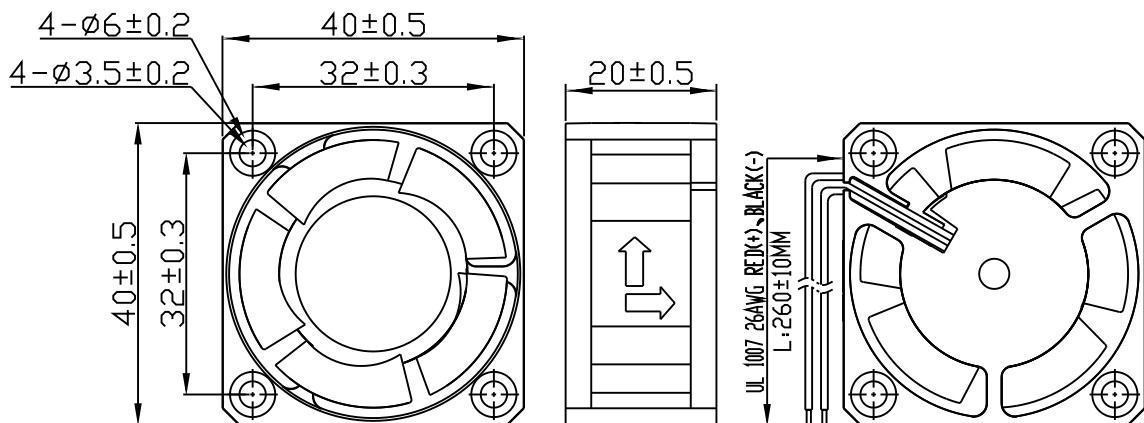
AIR FLOW (CFM)

SPECIFICATION

(L: Low -speed; M: Middle - speed; H: High -speed; U: Ultra high-speed; D: Ultra low-speed)

Voltage (VDC)	Model	Current	Power	Speed	Max air-flow		Max Pstatic	Noise
		A	W	RPM	CMH	CFM	mm-H ₂ O	DbA
5	L	0.18	0.9	7000	13.00	7.65	5.00	28.4
	M	0.21	1.05	8000	13.92	8.20	6.60	31.5
12	L	0.09	1.08	7000	13.00	7.65	5.00	28.4
	M	0.11	1.32	8000	13.92	8.20	6.60	31.5
	H	0.13	1.56	9000	15.61	9.19	7.49	35.2
24	L	0.06	1.44	7000	13.00	7.65	5.00	28.4
	M	0.08	1.92	8000	13.92	8.20	6.60	31.5
	H	0.09	2.16	9000	15.61	9.19	7.49	35.2

DRAWING



GENERAL DESCRIPTION

1. BEARING TYPE: BALL BEARING OR SLEEVE
2. IMPELLER AND FRAM MATERIAL: PBT
3. MOTOR TYPE: BLDC
4. INSULATION GRADE: E
5. INSULATION RESISTANCE: 10M/500VDC
6. DIELECTRIC STRENGTH: 2MINIMUM/500AVC-5mA
7. AMBIENT HUMIDITY: RH20%-RH75%
8. STORAGE TEMPERATURE: -20°C ~ +75°C
9. WORKING TEMPERATURE: -10°C ~ +70°
10. SERVICE LIFE: 50000 HRS

CUSTOMIZATION FUCTIONS

SPEED CONTROL

- PWM; Vsp; SOFT-START; CLOSED-LOOP; GAPCYCLE RUNNING

OUT SIGNAL

- FG; RD (EXCEED THE MIN. SPEED SETTINGS)

PROTECTION

- LOCKED; WATER-PROOF; DUSTY-PROOF