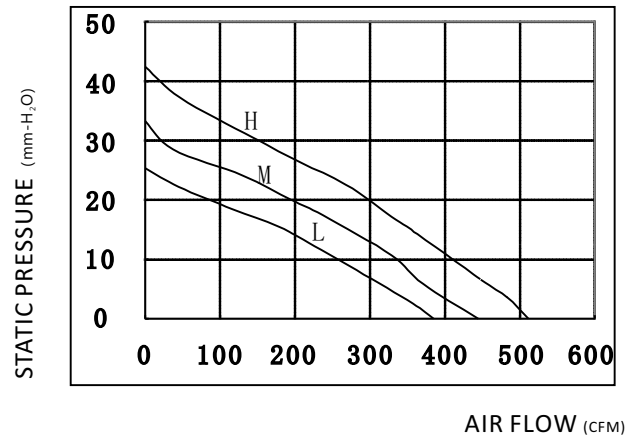


### MODEL:RA-ECC220

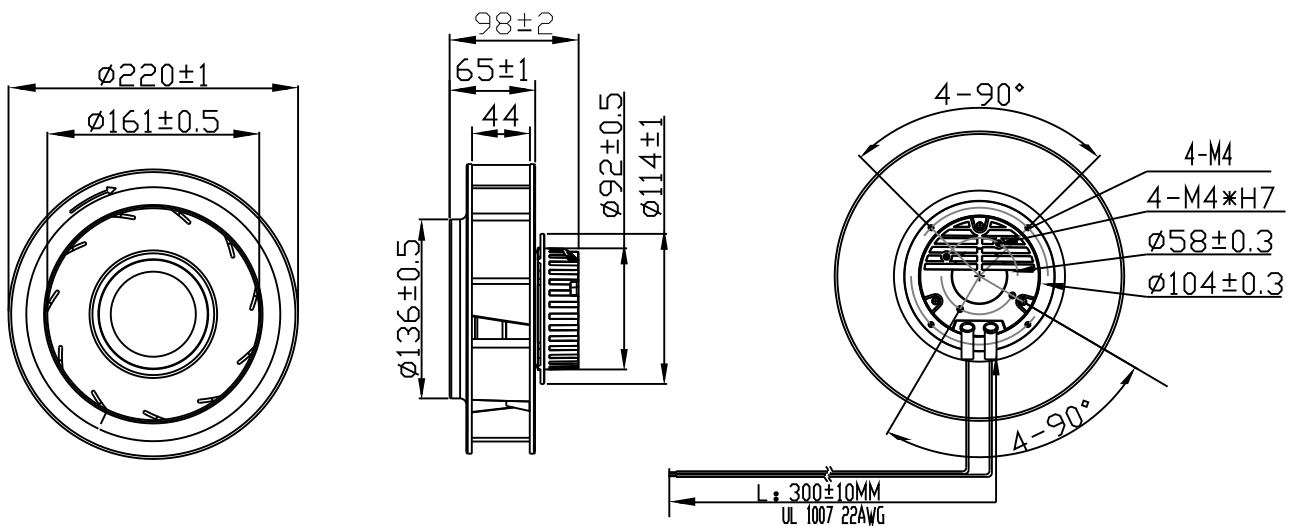


### SPECIFICATION

(L: Low -speed; M: Middle - speed; H: High -speed; U: Ultra high-speed; D: Ultra low-speed)

Voltage (VAC)	Model	Current	Power	Speed	Max air-flow		Max Pstatic	Noise
		A	W	RPM	CMH	CFM	mm-H <sub>2</sub> O	DbA
90-264	L	0.26	34.00	2000	654.12	385.00	25.40	63
	M	0.37	50.00	2300	754.36	444.00	33.30	67
	H	0.48	70.00	2600	868.19	511.00	42.50	71

### DRAWING



### GENERAL DESCRIPTION

1. BEARING TYPE: BALL BEARING
2. IMPELLER AND BASE MATERIAL: PA66 / ADC12
3. MOTOR TYPE: E-BLDC (AC TO DC)
4. INSULATION GRADE: E
5. INSULATION RESISTANCE: 10M/500VDC
6. DIELECTRIC STRENGTH: 2MINIMUM/1500AVC-5mA
7. AMBIENT HUMIDITY: RH20%-RH75%
8. STORAGE TEMPERATURE: -20°C ~ +75°C
9. WORKING TEMPERATURE: -10°C ~ +70°
10. SERVICE LIFE: 50000 HRS

### CUSTOMIZATION FUCTIONS

#### SPEED CONTROL

- PWM; Vsp; SOFT-START; CLOSED-LOOP; GAPCYCLE RUNNING

#### OUT SIGNAL

- FG; RD (EXCEED THE MIN. SPEED SETTINGS)

#### PROTECTION

- LOCKED; WATER-PROOF; DUSTY-PROOF