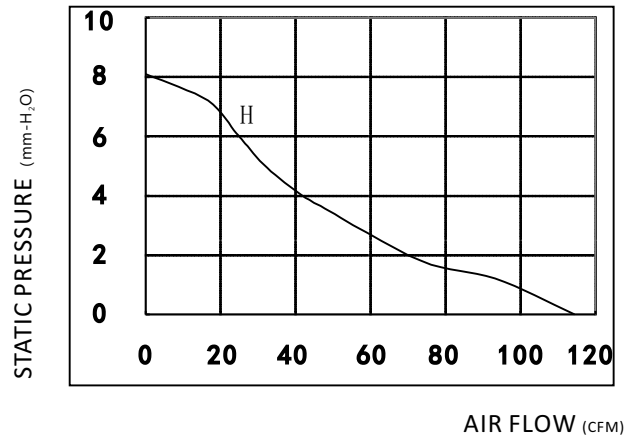


MODEL:RA-EC12038



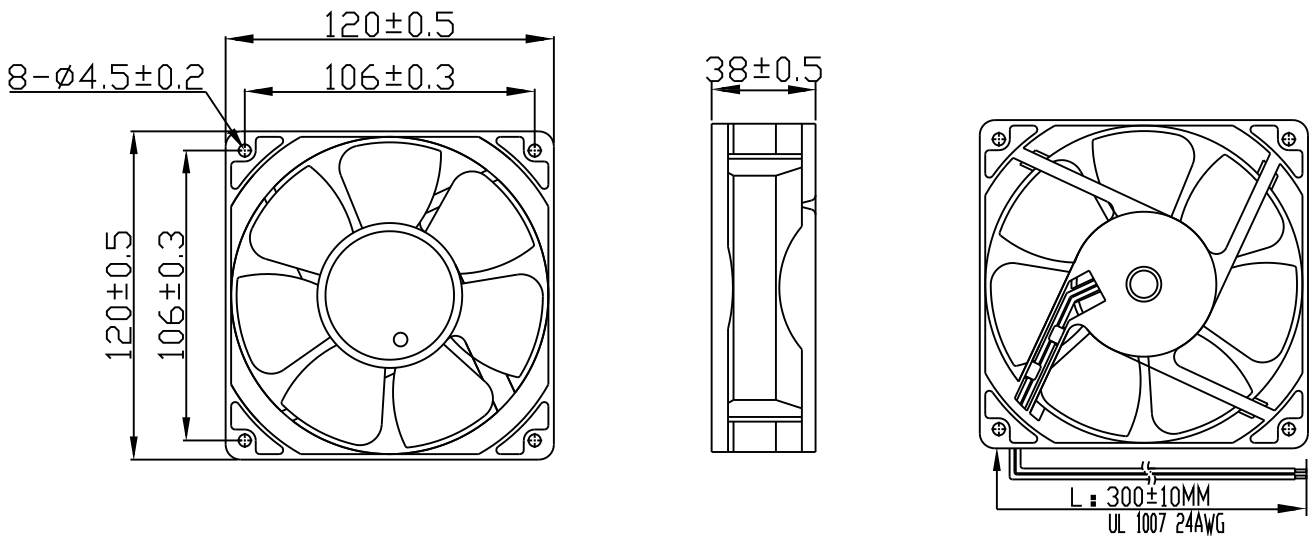
AIR FLOW (CFM)

SPECIFICATION

(L: Low -speed; M: Middle - speed; H: High -speed; U: Ultra high-speed; D: Ultra low-speed)

Voltage (VAC)	Model	Current	Power	Speed	Max air-flow		Max Pstatic	Noise
		A	W	RPM	CMH	CFM	mm-H ₂ O	DbA
90-264	H	0.05	4.8	3000	176.70	104	7.8	44

DRAWING



GENERAL DESCRIPTION

- 1.BEARING TYPE: BALL BEARING
- 2.IMPELLER AND FRAM MATERIAL: PBT
- 3.MOTOR TYPE: E-BLDC (AC TO DC)
- 4.INSULATION GRADE: E
- 5.INSULATION RESISTANCE: 10M/500VDC
- 6.DIELECTRIC STRENGTH: 2MINIMUM/1500AVC-5mA
- 7.AMBIENT HUMIDITY: RH20%-RH75%
- 8.STORAGE TEMPERATURE: -20°C ~ +75°C
- 9.WORKING TEMPERATURE:-10°C ~ +70°
- 10.SERVICE LIFE:50000 HRS

CUSTOMIZATION FUCTIONS

SPEED CONTROL

- PWM; Vsp; SOFT-START; CLOSED-LOOP; GAPCYCLE RUNNING

OUT SIGNAL

- FG; RD (EXCEED THE MIN. SPEED SETTINGS)

PROTECTION

- LOCKED; WATER-PROOF;DUSTY-PROOF