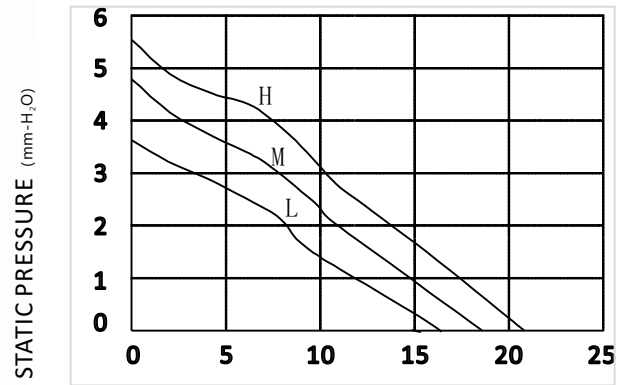


### MODEL:RA-DC6015



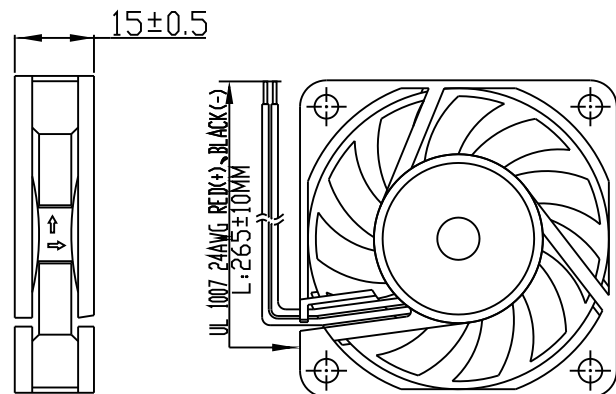
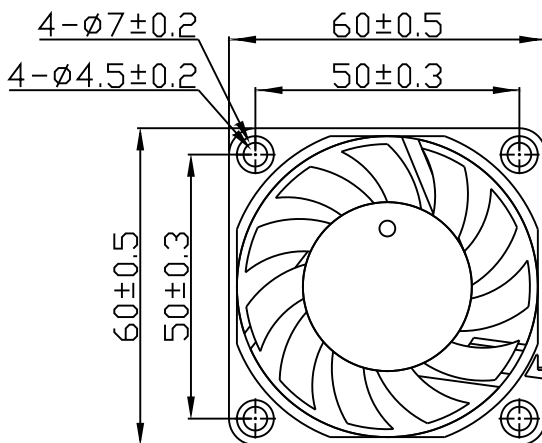
AIR FLOW (CFM)

## SPECIFICATION

(L: Low -speed; M: Middle - speed; H: High -speed; U: Ultra high-speed; D: Ultra low-speed)

Voltage (VDC)	Model	Current	Power	Speed	Max air-flow		Max Pstatic	Noise
		A	W	RPM	CMH	CFM	mm-H <sub>2</sub> O	DbA
12	L	0.120	1.44	4000	25.15	14.8	3.6	23
	M	0.150	1.80	4500	31.60	18.6	4.8	34
	H	0.180	2.16	5000	35.34	20.8	5.5	39
24	L	0.070	1.68	4000	25.15	14.8	3.6	23
	M	0.080	1.92	4500	31.60	18.6	4.8	34
	H	0.100	2.40	5000	35.34	20.8	5.5	39

## DRAWING



## GENERAL DESCRIPTION

1. BEARING TYPE: BALL BEARING OR SLEEVE
2. IMPELLER AND FRAM MATERIAL: PBT
3. MOTOR TYPE: BLDC
4. INSULATION GRADE: E
5. INSULATION RESISTANCE: 10M/500VDC
6. DIELECTRIC STRENGTH: 2MINIMUM/500AVC-5mA
7. AMBIENT HUMIDITY: RH20%-RH75%
8. STORAGE TEMPERATURE: -20°C ~ +75°C
9. WORKING TEMPERATURE: -10°C ~ +70°
10. SERVICE LIFE: 50000 HRS

## CUSTOMIZATION FUCTIONS

### SPEED CONTROL

- ➔ PWM; Vsp; SOFT-START; CLOSED-LOOP; GAPCYCLE RUNNING

### OUT SIGNAL

- ➔ FG; RD (EXCEED THE MIN. SPEED SETTINGS)

### PROTECTION

- ➔ LOCKED; WATER-PROOF; DUSTY-PROOF