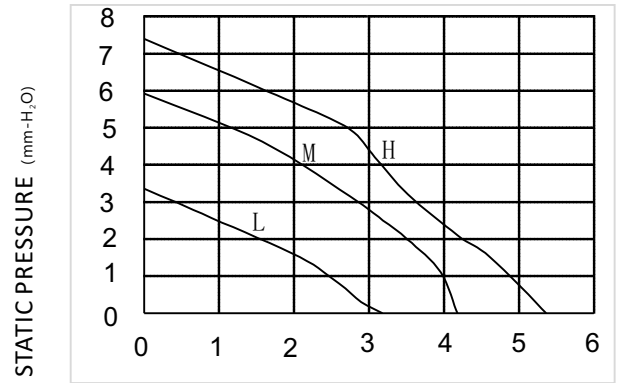


MODEL:RA-DC3010



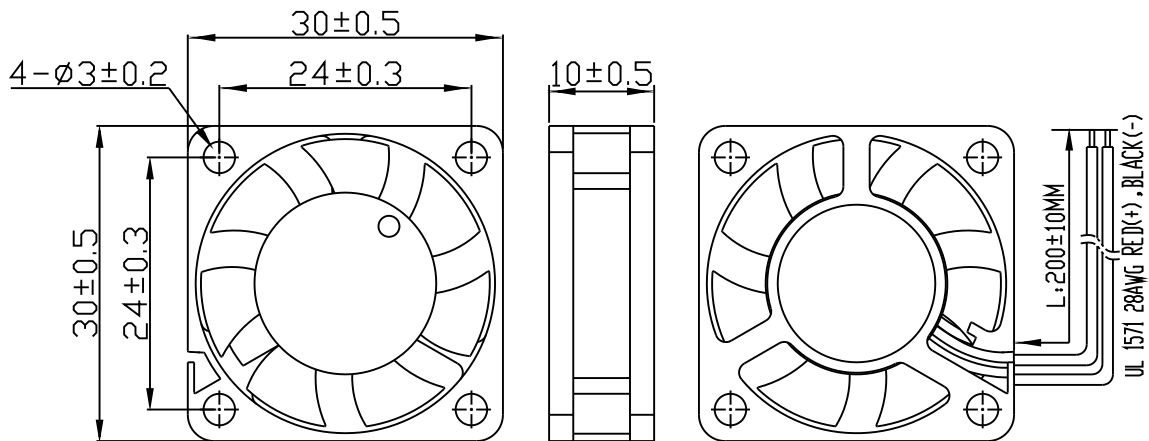
AIR FLOW (CFM)

SPECIFICATION

(L: Low -speed; M: Middle - speed; H: High -speed; U: Ultra high-speed; D: Ultra low-speed)

Voltage (VDC)	Model	Current	Power	Speed	Max air-flow		Max Pstatic	Noise
		A	W	RPM	CMH	CFM	mm-H ₂ O	dBA
5	L	0.18	0.9	8000	5.40	3.18	3.4	25.00
	M	0.25	1.25	10000	7.10	4.18	5.9	32.00
12	L	0.08	0.96	8000	5.40	3.18	3.4	25.00
	M	0.10	1.2	10000	7.10	4.18	5.9	32.00
	H	0.13	1.56	12000	9.11	5.36	7.4	36.80
24	M	0.08	1.92	10000	7.10	4.18	5.9	32.00
	H	0.11	2.64	12000	9.11	5.36	7.4	36.80

DRAWING



GENERAL DESCRIPTION

- 1.BEARING TYPE: BALL BEARING OR SLEEVE
- 2.IMPELLER AND FRAM MATERIAL: PBT
- 3.MOTOR TYPE: BLDC
- 4.INSULATION GRADE: E
- 5.INSULATION RESISTANCE: 10M/500VDC
- 6.DIELECTRIC STRENGTH: 2MINIMUM/500AVC-5mA
- 7.AMBIENT HUMIDITY: RH20%-RH75%
- 8.STORAGE TEMPERATURE: -20°C ~ +75°C
- 9.WORKING TEMPERATURE:-10°C ~ +70°
- 10.SERVICE LIFE:50000 HRS

CUSTOMIZATION FUCTIONS

➤ PWM; Vsp; SOFT-START; CLOSED-LOOP; GAPCYCLE RUNNING

OUT SIGNAL

➤ FG; RD (EXCEED THE MIN. SPEED SETTINGS)

PROTECTION

➤ LOCKED; WATER-PROOF;DUSTY-PROOF