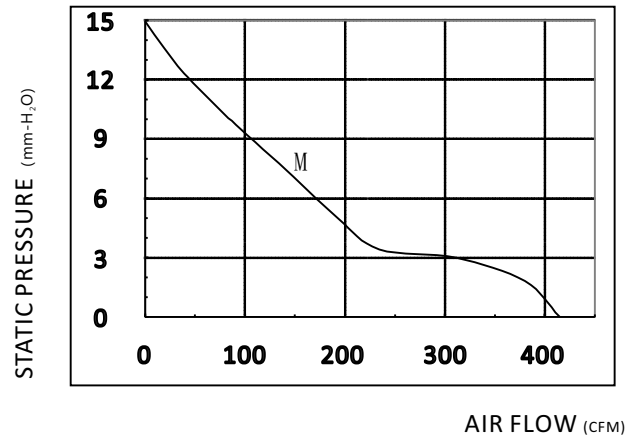


### MODEL:RA-DC20060

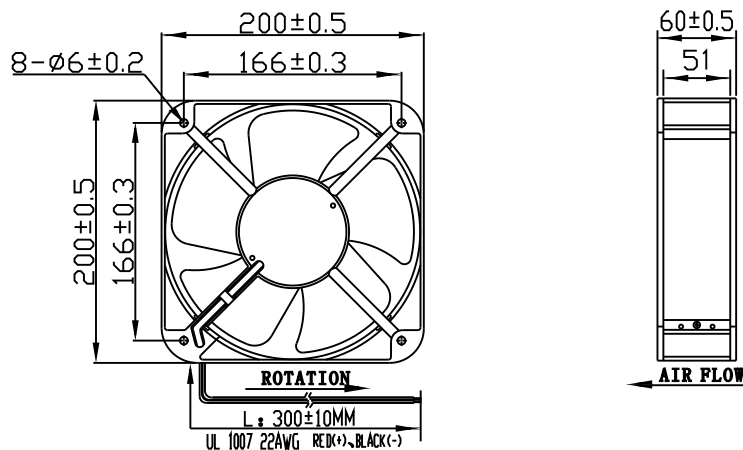


## SPECIFICATION

(L: Low -speed; M: Middle - speed; H: High -speed; U: Ultra high-speed; D: Ultra low-speed)

Voltage (VDC)	Model	Current	Power	Speed	Max air-flow		Max Pstatic	Noise
		A	W	RPM	CMH	CFM	mm-H <sub>2</sub> O	DbA
24	M	0.73	17.52	2600	703.39	414	14.90	57

## DRAWING



## GENERAL DESCRIPTION

1. BEARING TYPE: BALL BEARING OR SLEEVE
2. IMPELLER AND FRAM MATERIAL: PBT / ADC12
3. MOTOR TYPE: BLDC
4. INSULATION GRADE: E
5. INSULATION RESISTANCE: 10M/500VDC
6. DIELECTRIC STRENGTH: 2MINIMUM/500AVC-5mA
7. AMBIENT HUMIDITY: RH20%-RH75%
8. STORAGE TEMPERATURE: -20°C ~ +75°C
9. WORKING TEMPERATURE: -10°C ~ +70°
10. SERVICE LIFE: 50000 HRS

## CUSTOMIZATION FUCTIONS

### SPEED CONTROL

- ▶ PWM; Vsp; SOFT-START; CLOSED-LOOP; GAPCYCLE RUNNING

### OUT SIGNAL

- ▶ FG; RD (EXCEED THE MIN. SPEED SETTINGS)

### PROTECTION

- ▶ LOCKED; WATER-PROOF; DUSTY-PROOF