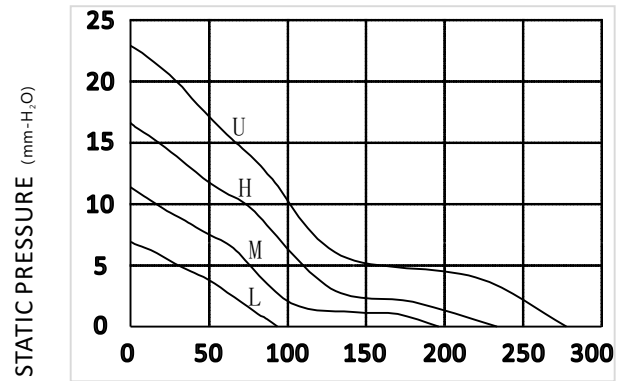


### MODEL:RA-DC17251



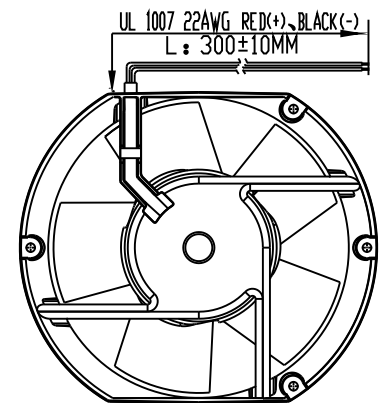
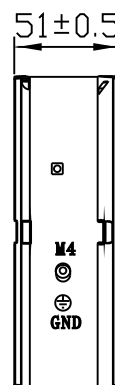
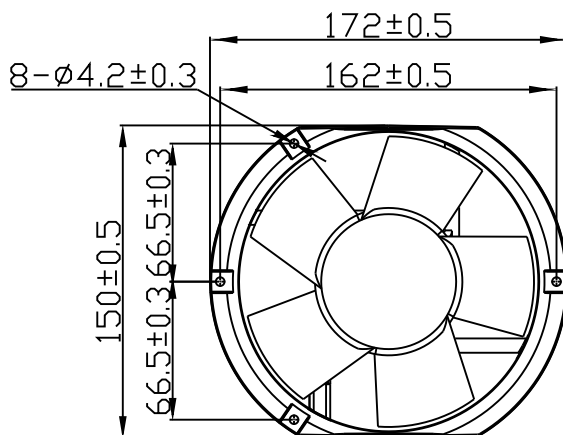
AIR FLOW (CFM)

## SPECIFICATION

(L: Low -speed; M: Middle - speed; H: High -speed; U: Ultra high-speed; D: Ultra low-speed)

Voltage (VDC)	Model	Current	Power	Speed	Max air-flow		Max Pstatic	Noise
		A	W	RPM	CMH	CFM	mm-H <sub>2</sub> O	DbA
12	D	0.50	6.00	1900	158.86	93.50	6.90	47
	L	1.00	12.00	2400	333.00	196.00	16.60	55
	M	1.65	19.80	2900	395.87	233.00	22.90	60
	H	2.60	31.20	3400	470.62	277.00	4.79	63
24	L	0.52	12.48	2400	333.00	196.00	11.40	55
	M	0.77	18.48	2900	395.87	233.00	16.60	60
	H	1.20	28.80	3400	470.62	277.00	22.90	63
48	L	0.24	11.52	2400	333.00	196.00	11.40	55
	M	0.44	21.12	2900	395.87	233.00	16.60	60
	H	0.60	28.80	3400	470.62	277.00	22.90	63

## DRAWING



## GENERAL DESCRIPTION

1. BEARING TYPE: BALL BEARING OR SLEEVE
2. IMPELLER AND FRAM MATERIAL: PBT / ADC12
3. MOTOR TYPE: BLDC
4. INSULATION GRADE: E
5. INSULATION RESISTANCE: 10M/500VDC
6. DIELECTRIC STRENGTH: 2MINIMUM/500AVC-5mA
7. AMBIENT HUMIDITY: RH20%-RH75%
8. STORAGE TEMPERATURE: -20°C ~ +75°C
9. WORKING TEMPERATURE: -10°C ~ +70°C
10. SERVICE LIFE: 50000 HRS

## CUSTOMIZATION FUCTIONS

### SPEED CONTROL

- PWM; Vsp; SOFT-START; CLOSED-LOOP; GAPCYCLE RUNNING

### OUT SIGNAL

- FG; RD (EXCEED THE MIN. SPEED SETTINGS)

### PROTECTION

- LOCKED; WATER-PROOF; DUSTY-PROOF