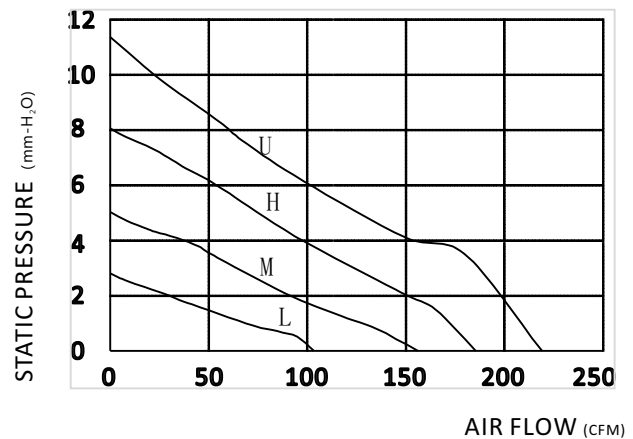


### MODEL:RA-DC17225

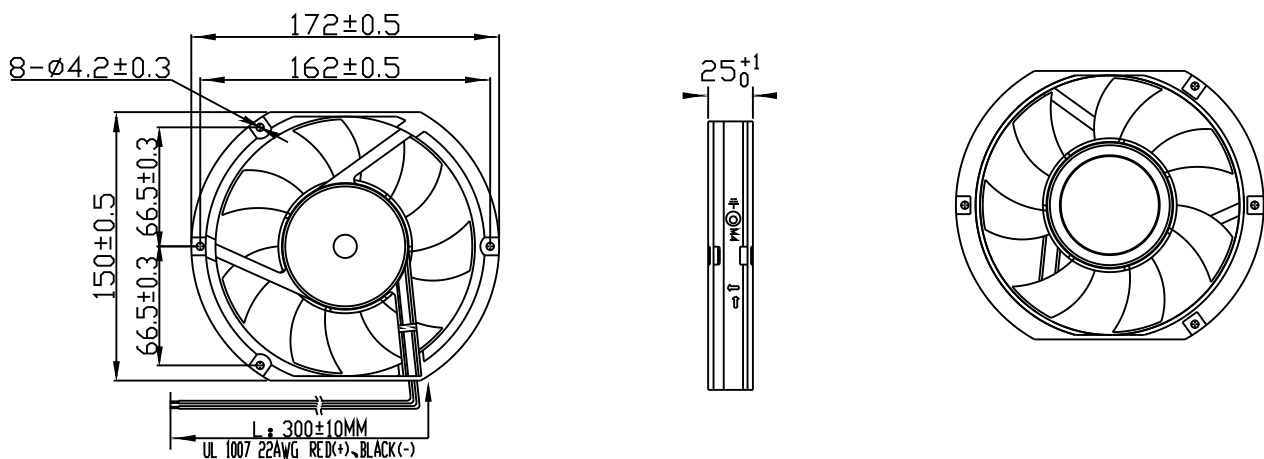


## SPECIFICATION

(L: Low -speed; M: Middle - speed; H: High -speed; U: Ultra high-speed; D: Ultra low-speed)

Voltage (VDC)	Model	Current	Power	Speed	Max air-flow		Max Pstatic	Noise
		A	W	RPM	CMH	CFM	mm-H <sub>2</sub> O	DbA
12	L	0.36	4.32	2000	265.044	156.00	5.02	45
	M	0.64	7.68	2500	314.32	185.00	8.06	51
	H	1.10	13.20	3000	372.08	219.00	11.37	55
24	D	0.10	2.40	1500	175.00	103.00	2.80	37
	L	0.20	4.80	2000	265.04	156.00	5.02	45
	M	0.34	8.16	2500	314.32	185.00	8.06	51
48	H	0.48	11.52	3000	372.08	219.00	11.37	55
	L	0.12	5.76	2000	265.04	156.00	5.02	45
	M	0.18	8.64	2500	314.32	185.00	8.06	51
	H	0.30	14.40	3000	372.08	219.00	11.37	55

## DRAWING



## GENERAL DESCRIPTION

1. BEARING TYPE: BALL BEARING
2. IMPELLER AND FRAM MATERIAL: PBT / ADC12
3. MOTOR TYPE: BLDC
4. INSULATION GRADE: E
5. INSULATION RESISTANCE: 10M/500VDC
6. DIELECTRIC STRENGTH: 2MINIMUM/500AVC-5mA
7. AMBIENT HUMIDITY: RH20%-RH75%
8. STORAGE TEMPERATURE: -20°C ~ +75°C
9. WORKING TEMPERATURE: -10°C ~ +70°
10. SERVICE LIFE: 50000 HRS

## CUSTOMIZATION FUCTIONS

### SPEED CONTROL

- PWM; Vsp; SOFT-START; CLOSED-LOOP; GAPCYCLE RUNNING

### OUT SIGNAL

- FG; RD (EXCEED THE MIN. SPEED SETTINGS)

### PROTECTION

- LOCKED; WATER-PROOF; DUSTY-PROOF